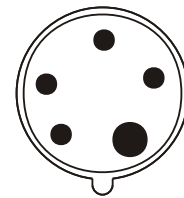
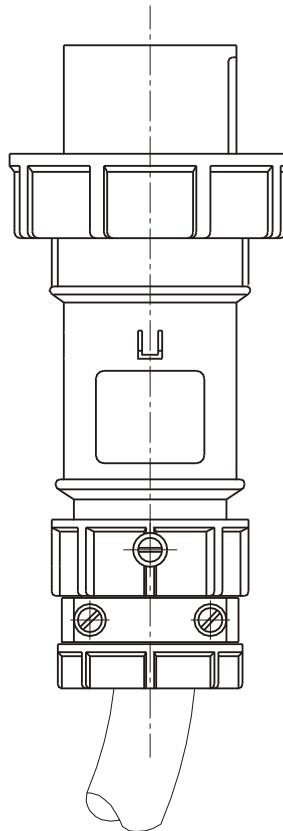
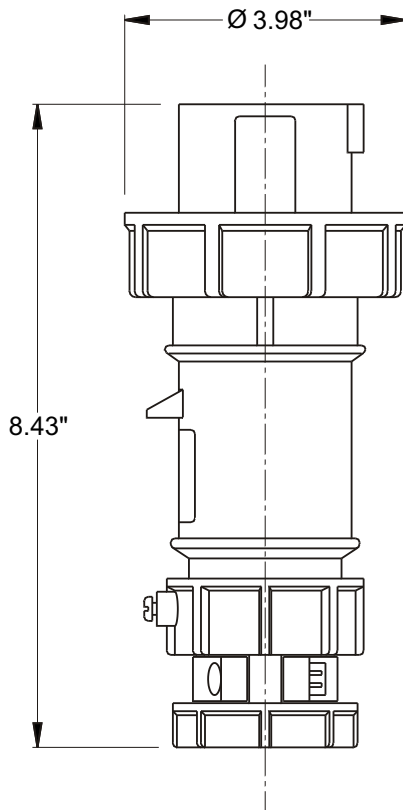


PLUG, IN-LINE

| | |
|----------------------|--|
| Part No. | ME 530P7W |
| Description: | 30 Amp 3 Y 277/480Vac 4 Pole, 5 Wire Plug |
| Construction: | Watertight IEC IP 67 |
| Approvals: | UL Listed Standards 1682; 1686 CSA Certification to Spec. C22.2 No. 182.1 IEC 60309-1; IEC 60309-2 |

IEC COLOR CODE: Red

GROUND SOCKET: 5 Hour Position Mates with Female in 7 Hour Position.



Front View of Plug

Wire Range: #8 - #12 AWG
Cord Range: .43" - 1.12"
Threaded Cable Entry: 1 1/4" NPT

Drawing Not to Scale